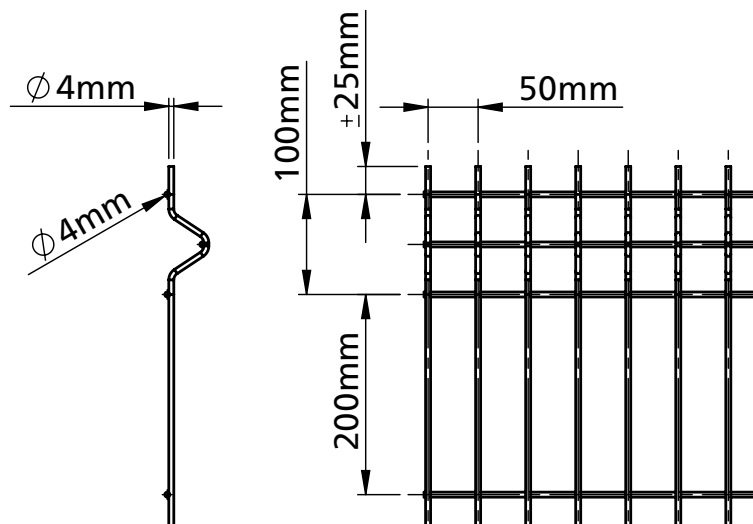


PANELS

V-FENCE 4/4

MESH SIZE 50 X 200 MM

DIMENSIONS



SURFACE TREATMENTS

- Self-colour
- Galfan (zinc/alu) wire + polyester powder coating
- Standard colours: RAL 6005, 6009, 7016 & 9005

WEIGHT TABLE

Height	Pre-galve + coated
1030 mm	6,45 kg
1230 mm	7,50 kg
1530 mm	9,57 kg
1730 mm	10,85 kg
2030 mm	12,77 kg

Other dimensions, mesh sizes and colours available upon request.

APPLICATIONS

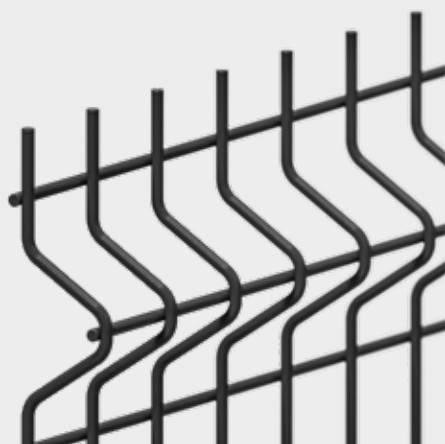
- Schools
- Housing
- Public places
- Light industry

SECURITY LEVEL 5



TECHNICAL SPECIFICATIONS

- Horizontal wires: $1 \times \phi 4\text{ mm}$
- Vertical wires: $1 \times \phi 4\text{ mm}$
- Width: 2.508 mm
- Height: see weight table
- Mesh size: $50 \times 200\text{ mm}$
(in V-section: $50 \times 100\text{ mm}$)



#alfafence